

Niets Brodie Assistance Fund Application

Print Form

All fields must be completed or application will be denied - email completed form to blocke@nlets.org

Name: JULIE BASCO Are you the Appointed Nlets Rep?: YES Date: 12/11/14
Email: julie.basco@doj.ca.gov Organization: CA DOJ Phone #: 916-227-3854

Type: SPECIAL PROJECT Date(s): DEC 2014 - APRIL 2015 Location: SACRAMENTO, CA
Event/Project Name & Description: INTERSTATE DL PHOTOGRAPH SHARING RETURN

Event/Project Cost:	<u>\$50,000</u>	Airfare:			
Ground Transportation:		# of Days:		Transportation Total:	
Parking:		# of Days:		Parking Total:	
Lodging Per Night:		# of Nights:		Lodging Total:	
Daily Per Diem:		# of Days:		Per Diem Total:	
				Total expenses:	<u>\$50,000</u>
				# Of Attendees Applied for:	
				Total Amount Requested:	<u>\$50,000</u>

Name(s) of attendee(s)

THIS CERTIFICATION MANDATORY - Forms submitted without this box checked will be denied: By checking this box, I certify all financial avenues within the State have been exhausted; without BAF approval, there is no other way to fund this project/training.

Justification for request (minimum 500 words) Indicate problem statement and proposed solution. Use additional supporting documentation if necessary.

See attachments.

Return completed form to:
blocke@nlets.org

Nlets Staff Use Only - Status & Comments

Received Date:		Comments, Notes, Name of Person Taking Action:
Approved ?:	<input type="radio"/> YES <input type="radio"/> NO	

**CALIFORNIA DEPARTMENT OF JUSTICE
NLETS - BRODY ASSISTANCE FUND
DECEMBER 2014**

TO SAY THAT TODAY'S SOCIETY IS MOBILE IS A GROSS UNDERSTATEMENT. MILLIONS OF PEOPLE EFFORTLESSLY TRANSIT FROM ONE STATE TO ANOTHER EACH HOUR OF EVERY DAY. AS SUCH, THE DEPARTMENT OF JUSTICE'S (DOJ) PARTICIPATION IN NLETS INTER-STATE PHOTOGRAPH SHARING INITIATIVE, FOR DRIVER'S LICENSE PHOTOGRAPHS, WOULD PROVIDE CALIFORNIA LAW ENFORCEMENT AGENCIES A VALUABLE IDENTIFICATION TOOL.

THE DOJ HAS BEEN CONTEMPLATING PARTICIPATION IN THIS INITIATIVE FOR YEARS. THE BARRIER HAS BEEN SUSTAINING ENGAGEMENT FROM THE DEPARTMENT OF MOTOR VEHICLES (DMV) ON THE TOPIC OF ELECTRONIC SHARING OF CALIFORNIA DRIVER'S LICENSE PHOTOGRAPHS OUT OF STATE. BUT RECENTLY, PROGRESS HAS BEEN MADE THROUGH THE DOJ'S CALIFORNIA LAW ENFORCEMENT TELECOMMUNICATIONS SYSTEM (CLETS) ADVISORY COMMITTEE'S STANDING STRATEGIC PLANNING SUBCOMMITTEE (SSPS). THE SSPS RECOMMENDS STRATEGIC GOALS FOR THE CLETS AND HAS ADVANCED THIS TOPIC TO PRIORITY STATUS. THROUGH SSPS COORDINATION, THE THREE MAJOR CALIFORNIA LAW ENFORCEMENT ASSOCIATIONS AND THE DOJ WILL MEET WITH THE DMV DIRECTOR BEFORE MARCH 2015 TO DISCUSS THE DMV'S POLICY CONCERNS, INTEREST LEVEL AND MAP A PROGRESSIVE APPROACH TO PARTICIPATION. IN CALIFORNIA, THE DOJ IS PART OF THE OFFICE OF THE ATTORNEY GENERAL, A CONSTITUTIONAL OFFICE. THE DMV IS PART OF THE EXECUTIVE BRANCH OF GOVERNMENT REPORTING TO ANOTHER CONSTITUTIONAL OFFICER, THE GOVERNOR.

THE SSPS HAS DETERMINED THAT MOVING FORWARD TO ESTABLISH THE NECESSARY INFRASTRUCTURE TO ELECTRONICALLY RECEIVE DRIVER'S LICENSE PHOTOGRAPHS FROM OUT OF STATE WOULD BE HIGHLY BENEFICIAL AND ALSO, PROVIDE INCENTIVE TO THE DMV TO TAKE ACTION ON THIS TOPIC.

A STATEMENT OF WORK IS ATTACHED THAT DETAILS THE REQUEST FOR \$40,000 OF CONSULTING SERVICES AND \$10,000 FOR ADDITIONAL STORAGE AT THE DOJ.

IT IS KNOWN THAT BRODY ASSISTANCE FUND COMMITTEE HAS INTEREST IN THESE QUESTIONS; THEREFORE, A RESPONSE FOR EACH FOLLOWS:

IS THE FUNDING YOU ARE REQUESTING CONSIDERED SUPPORT AND MAINTENANCE?

NO. THE FUNDING WILL COVER ENHANCEMENTS TO BOTH THE CLETS AND THE SMARTJUSTICE APPLICATION. SMARTJUSTICE IS THE ATTORNEY'S GENERAL

MARQUIS DATA SHARING PLATFORM THAT DISPLAYS DOJ DATA SYSTEMS AND COUNTY LEVEL LAW ENFORCEMENT AND PROBATION DATA SYSTEMS IN A SINGLE VIEW, WITH A SINGLE SIGN-ON BOTH TERMINAL AND MOBILE DEVICES. ONCE THE ENHANCEMENTS ARE ACCOMPLISHED, THE MAINTENANCE AGREEMENTS FOR BOTH CLETS AND SMARTJUSTICE WILL ENGAGE.

HOW WILL YOU FUND THIS EFFORT WHEN BAF FUNDS ARE EXHAUSTED?

VIA THE CLETS AND SMARTJUSTICE MAINTENANCE AGREEMENTS. ALSO, IF FUTURE ENHANCEMENTS ARE NEEDED THE SMARTJUSTICE APPLICATION IS CONTINUALLY EVOLVING AND THE OPPORTUNITY WOULD EXIST TO BRING THIS EFFORT INTO THAT FUNDING ARENA.

PLEASE EXPLAIN HOW THIS REQUEST WILL BENEFIT OTHER STATES AND THE NLETS COMMUNITY AS A WHOLE?

IDENTIFICATION. CALIFORNIA LAW ENFORCEMENT WILL BE MORE READILY ABLE TO ENGAGE WITH OUT OF STATE AGENCIES REGARDING THEIR CITIZENS.

WHAT CAPABILITIES WILL BE LOST IF YOU DO NOT RECEIVE THIS BRODY ASSISTANCE FUND FUNDING FOR THIS EFFORT?

IDENTIFICATION OF OUT OF STATE INDIVIDUALS IN A REAL TIME SETTING.

HOW WILL THESE LOST CAPABILITIES IMPACT YOUR STATE AND THE STATES AROUND YOU?

CALIFORNIA LAW ENFORCEMENT WILL CONTINUE TO OPERATE IN A PAPER, FACSIMILE RELIANT PROCESS THAT JEOPARDIZES OFFICER SAFETY AND EFFICIENCY. IT IS BELIEVED THAT THE IMPLEMENTATION OF RECEIVING OUT OF STATE DRIVER'S LICENSE PHOTOGRAPHS ELECTRONICALLY WILL CREATE MOMENTUM FOR THE DMV TO ELECTRONICALLY SHARE CALIFORNIA DRIVER'S LICENSE PHOTOGRAPHS OUT OF STATE.

HOW ARE YOU ACCOMPLISHING THIS CURRENTLY?

THE DOJ IS NOT PARTICIPATING CURRENTLY.

IF YOUR BRODY ASSISTANCE FUND APPLICATION IS UNSUCCESSFUL, WHAT WILL THE TIMELINE BE FOR YOU TO ACCOMPLISH WITH STATE FUNDS?

UNDETERMINED AND UNLIKELY. THIS WOULD BE A GENERAL FUND REQUEST AND THE DOJ WOULD HAVE TO GIVE UP AN EQUAL GENERAL FUND AMOUNT, FROM THE CURRENT BUDGET, TO OFF-SET SUCH A REQUEST AND THE DOJ HAS NOT DONE THIS FOR MANY FISCAL YEARS.

Statement of Work

California Department of Justice

CLETS

Statement of Work

NLETS XML DL Photo Retrieval Effort

~~ Provided By ~~

CLETS Support Services Section

December 2014

Statement of Work

1 Background

The California Law Enforcement Telecommunications System (CLETS) is the state's message switch for the exchange of Law Enforcement data among California (local, county and state level) users and systems (e.g. ACHS and DMV); and external national and international users and systems via NCIC and NLETS.

- An XML based interface header structure designed to exchange legacy and XML message payloads is currently used between CLETS and California's New CJIS Control (NCC).
- CDI supported the successful implementation of a NIEM XML interface for the exchange of Criminal Rapsheets between California and other states via NLETS (CHIEF Project).
- CDI is currently supporting California's SmartJustice project which will be extended under this agreement to encompass the retrieval of other state driver photos via NLETS.

California DOJ is positioned to support a transition to XML based message formatting. The DL Photo Retrieval Project is a logical step in XML's implementation.

2 Proposal

California desires to participate in the NLETS DL Photo Retrieval using the National Information Exchange Model (NIEM) format for exchanging computerized Driver License data between NLETS and the CA DOJ. For CA DOJ, CLETS is a key architectural component to this effort.

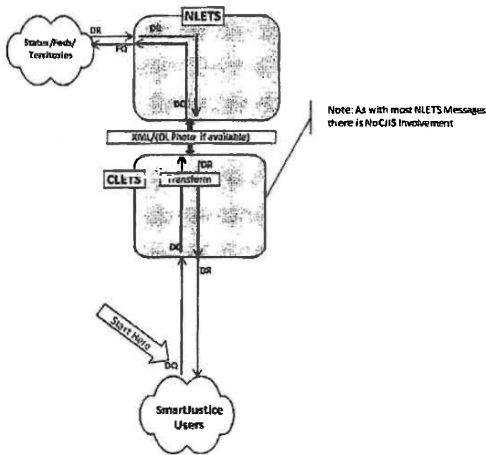
This proposal is to provide the CLETS level XML specifications and testing support required of California to achieve a NLETS Photo Retrieval thru the SmartJustice Application Portal without disrupting the current processing of MSC transactions.

Statement of Work

The following Data flow diagram depicts the CLETS architectural position role in the processing of the DL Photo Retrieval message keys from the perspective of California requests for out-of-state DMV driver license photos.

CA DQ DMV Queries to Other States

December 2014



Assumptions/Description of Scope	Who is responsible
1. Within California, NLETS photos can only be retrieved via California's SmartJustice Application Portal.	NLETS/CLETS
2. SmartJustice DQ queries to out of state DMVs are received in JSON format. CLETS transforms these queries to Legacy format prior to sending them to NLETS.	NLETS/CLETS
3. All DR responses from NLETS are returned in NLETS NIEM format. CLETS uses NLETS provided style sheets (XLST) to transform text content to its equivalent Legacy format prior its delivery. Photo content is extracted and forwarded to its SmartJustice user within a JSON structure.	NLETS/CLETS
4. California Department of Justice will only be a consumer of the NLETS DL Photos at this time. This effort does not include the sending of CA DMV Photos to NLETS.	NLETS/CLETS

Statement of Work

2.1 CA DOJ NLETS Photo Sharing Deliverables

CA DOJ shall be responsible to deliver the following:

- Define the following XML test instances:
 - JSON formatted DQ queries for transformation to NIEM XML or Legacy format for delivery to NLETS.
 - Transform NIEM XML formatted DR responses for transformation to JSON format for delivery to SmartJustice or Legacy format for SmartJustice or MSC users.
- Obtain and validate the XSLT stylesheets from NLETS for the transformations related to the DL Photo Retrieval Project:
- Define the CLETS components of the DL Photo Retrieval Project's Acceptance Testing in conjunction with the DOJ and NLETS members of the project team.
- Support user acceptance testing.

Statement of Work

3 Responsibilities

Each of the participating parties (NLETS and California DOJ) involved in this project will have certain responsibilities as described below:

NLETS Responsibilities:

- Provide (and maintain) DQ & DR interface and format requirements
- Identify non-California test cases and coordinate access to test systems
- Provide coordination of activity related to problem reporting and resolution
- Coordinate with CA DOJ the production implement and support

CLETS Specific Responsibilities:

- Identify the DQ and DR message format requirements
- Validate the requirements, correct and approve
- Document the testing message instances
- Provide CA DOJ with project task list
- Receive project plan, review and adhere to plan
- Support CLETS unit and integration level testing
- Coordinate system testing with NLETS and CA DOJ
- Track CLETS specific testing, requested corrections and retesting, as needed
- Provide ongoing support post-implementation

California DOJ Responsibilities:

- Provide support for the system environment to insure proper testing, operation and readiness
- Provide network connections to internal and external systems
- Provide remote access to the required CLETS DOJ User Systems, e.g., SmartJustice
- Coordinate system testing in cooperation with NLETS and other CA DOJ team participants
- Approve requirements
- Document requirements
- Coordinate software development and testing
- Coordinate and approve Acceptance
- Coordinate and approve Implementation

Statement of Work

4 Pricing

The following table presents the pricing associated with the tasks for this statement of work. In order for Vendor to deliver the working software in the required time frames, all parties must work closely together to insure that all required facilities are provided in a timely manner.

	Cost	Quantity	Total
Validate XSLT style sheets from NLETS for following transformations: <ul style="list-style-type: none"> • DQ JSON and Legacy to XML • DR XML to JSON and Legacy 	\$10,000.00	1	\$10,000.00
Define Test Instances <ul style="list-style-type: none"> • In State Requests to Other States (DQ and DR) 	\$10,000.00	1	\$10,000.00
Define CLETS and SmartJustice components of NLETS DL Photo Retrieval Project Acceptance Test Plan	\$10,000.00	1	\$10,000.00
Project Management, testing, support, and documentation	\$10,000.00	1	\$10,000.00
One (1) year warranty, maintenance and support	Included	1	Included
Total Cost			\$40,000.00

NOTE 1: Warranty shall commence after 10 days of production operation and included in existing CLETS maintenance contract.

NOTE 2: Any CLETS software changes (switch, configuration, and archive services) required to implement the NLETS Photo Sharing (DQ and DR) are not included under this Statement of Work and are subject to the existing maintenance support contract.