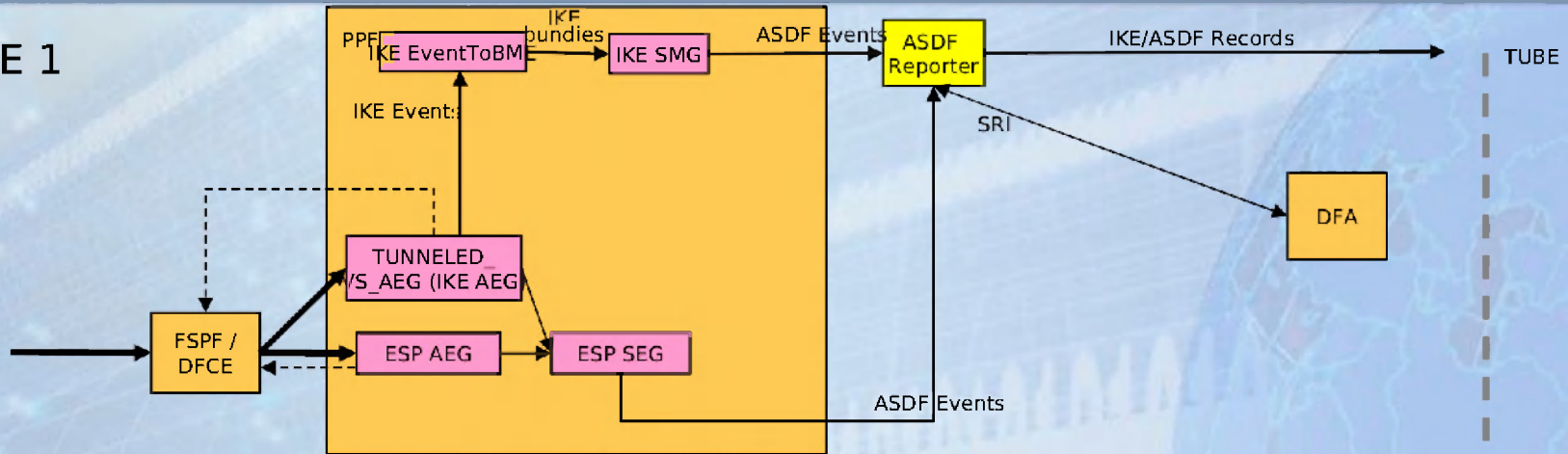


# VS MALIBU IKE And ESP Metadata Flows

STAGE 1

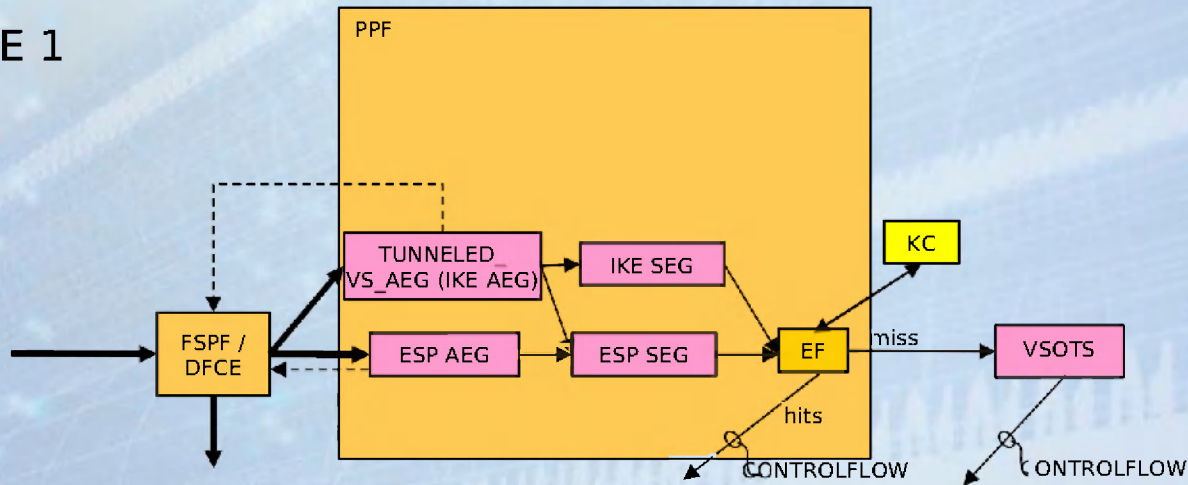


- External components used by TML
- Metadata Components
- Existing Turmoil Component
- New Turmoil Component
- New/modified VS component
- New LONGHAUL component

Figure 3. VALIANTSURF Redesigned Metadata Flow

# VS MALIBU Transform Flow PPF

STAGE 1



External components used by TML

Existing Turmoil Component

New Turmoil Component

New/modified VS component

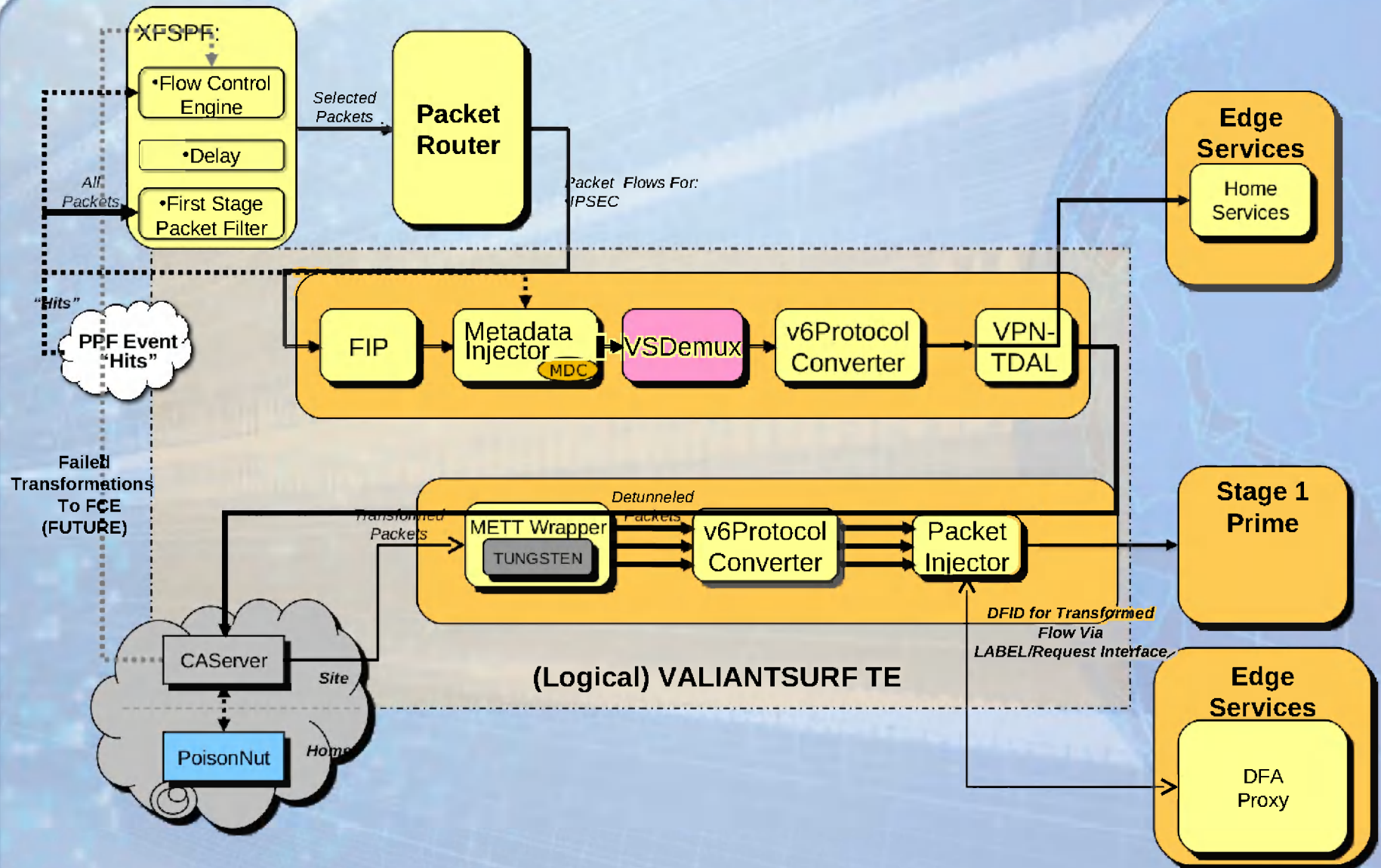
New LONGHAUL component

Figure 1. VALIANTSURF Redesigned Software Decrypt Flow



(Logical) VALIANTSURF TE

# TURMOIL Stage 1 (Logical) VALIANTSURF TE



# TURMOIL Stage 1 Prime VALIANTSURF Survey TE

